



Meet the winners in laundry solution.

Washing/Drying Range



BOSCH
Invented for life

Technologies that not only improve our everyday lives, but our future too.

Green Technology is the Bosch roadmap for sustainability, efficiency and transparency, especially when it comes to using resources and energy. Our work is constantly guided by this principle, in all sectors, from environment-friendly production methods to researching new, energy-efficient technologies.



Green Technology Signet

This signet identifies products that feature especially groundbreaking technology and top efficiency, paired with low consumption rates in energy, water or other natural resources. All Bosch products are manufactured according to these ecological criteria.



The top water efficiency rating is Excellent ✓✓✓. Bosch is 26% better than Excellent.

Bosch is one of the first manufacturers to register a washing machine for participation in the Water Efficiency Labeling Scheme (WELS) to encourage the uptake of water efficient appliances.



Most of our washers are awarded Excellent ✓✓✓ which is the best rating under the Water Efficiency Labeling Scheme (WELS) in Singapore. In fact Bosch washers are so water efficient that they are 26% better than the qualifying rate for the best water efficiency rating under the WELS in Singapore. The WELS is a voluntary scheme jointly administered by the Singapore Environment Council (SEC) and Public Utilities Board (PUB).

The Label provides information on the product and how much water it uses. The more ticks awarded, the more water efficient the product is. For example washing a full load of clothes with a ✓✓✓ rated washing machine can save you more than 80 litres of water.



The top energy efficiency class is A. Bosch betters it by up to 30%.

Thanks to the new VarioPerfect™ logic system, the EcoPerfect option can be combined with practically every programme for energy-efficient washing and perfect results.

Green Technology inside

VarioPerfect™

The new VarioPerfect™ logic system gives customers the option of quicker laundry or more energy efficient laundry while delivering perfectly clean laundry every time.



With a perfect variety of programmes, VarioPerfect™ achieves outstanding cleaning results for all types of textiles, and for all load sizes. Practically all programmes can be combined with the VarioPerfect™ EcoPerfect option for more savings and with SpeedPerfect for faster results.

The EcoPerfect saver option



Select EcoPerfect and save an amazing amount of electricity.

With a full load, the Logixx 8 VarioPerfect™ and Maxx 7 VarioPerfect™ are more economical than the qualifying rate for the top energy efficiency class A* by 30% and 20% respectively. The EcoPerfect option can be combined with all programmes except SuperQuick 15 and wool. This way you can save electricity and still enjoy perfect washing results in wash efficiency class A.

*energy efficiency rating based on EU standard, EN60456



60% faster washing. 100% satisfaction.

SpeedPerfect is the fastest washing option ever.
At the same time, it also washes thoroughly and gently.

Green Technology inside

Fast option SpeedPerfect



Depending on the programme selected, you can reduce wash time by up to 60% with SpeedPerfect. For example, when the SpeedPerfect function is selected washing 5kg of laundry takes only 60 minutes* with no compromises on washing efficiency. The SpeedPerfect function can be used in conjunction with all programmes except SuperQuick 15 and wool.

* in a 40 °C whites/colored wash programme with SpeedPerfect option.

Washing efficiency class A



All Bosch washers are awarded with an A rating for washing efficiency. The washing efficiency classes record the extent to which washing efficiency standards are satisfied. Washing efficiency means maximum cleanliness and maximum care. An A-rating denotes top washing efficiency and 100 % washing power.

Other perfect features

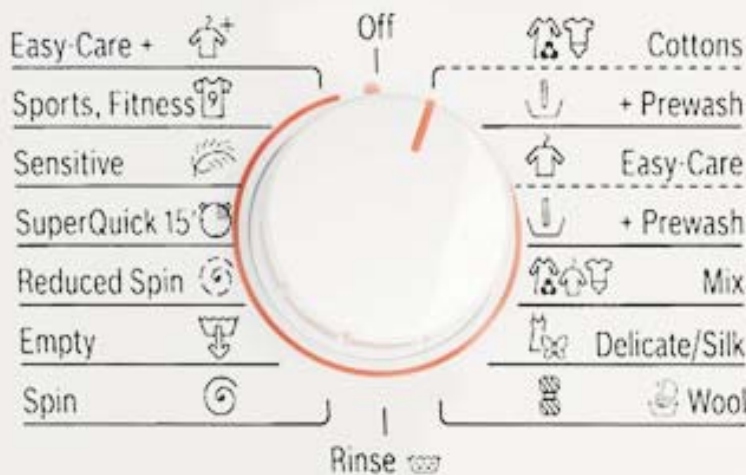
Wash programmes with prewash

Thanks to VarioPerfect™. The need for a prewash button is eliminated. Wash programmes have been perfected to such a degree that laundry always comes out perfectly clean. However, for people who don't wish to do without a prewash, we have provided 2 standard programmes with a prewash and flexible temperature settings. That way, you can wash all textiles from cottons to high-tech materials with a prewash. Incidentally, you can save even more electricity by leaving out the prewash cycle.

EcoSilence Drive



8 kg / 1400 rpm



Start
Reload



aqua|stop

The only drum system with two different approaches to one goal: perfect cleanliness.

It deserves a round of applause: the patented VarioSoft™ drum system has a host of unique features to ensure perfect wash results, be it delicate or heavily soiled laundry - or even curtains.



VarioSoft™ drum system



The unique patented VarioSoft™ drum system offering faster, gentler washing is exclusive to Bosch. The raindrop structure and asymmetrical paddles have a steep and flat side each. When the drum is rotated over the steep side, laundry is washed more intensively under normal programmes – and over the flat sides, with extra care for delicate programmes.

Reduces creasing

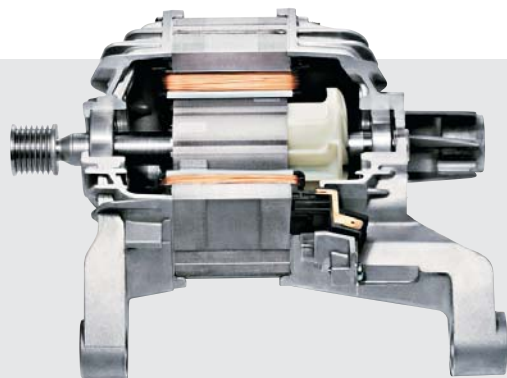
At 8 kg or 65 litres capacity, the Logixx 8 VarioPerfect™ features one of the largest drum of all standard-size washing machines. Creasing is minimal even for larger loads because there is plenty of room for garments to move freely.

Asymmetrical glass porthole

The unique porthole on the VarioSoft™ drum also improves washing results. The asymmetrically curved inner surface of the porthole gently returns articles to the center of the drum, permanently integrating them in the wash process.

Peak performers need a sound base.

The new Logixx 8 features the latest generation of brushless motor - the EcoSilence Drive™.



Green Technology inside:

The new EcoSilence Drive™



Developed by Bosch, the revolutionary brushless motor is quieter, faster, more energy-efficient, enduring and powerful than all others before it. Our patented solution, in contrast to conventional brushless motors, uses a permanent magnet with the latest drive electronics. This advanced technology is also used in powerful machines like wind turbines where maximum power and minimum energy loss are demanded.

More efficiency

A conventional motor has an efficiency factor of 25%. The efficiency factor is the ratio of power input to output. The higher the efficiency factor, the more effective the appliance. Thanks to advanced electronics, the new EcoSilence Drive™ with its sensor-less, and thus more intelligent electronic control has an efficiency factor of 60%.

More energy-efficient

The new EcoSilence Drive™ uses up to 30% less energy than the qualifying rate for energy efficiency Class A.

More time-saving

Thanks to its outstanding efficiency factor, the new EcoSilence Drive™ also takes less time to achieve peak performance.

More quietness

In contrast to conventional motors, the new EcoSilence Drive™ is extremely quiet. Being brushless eliminates any high-frequency motor brush noise. The drive is fully encapsulated and amazingly quiet when running.

More endurance

Very low on wear and tear, the compact motor has a long life expectancy.

AntiVibration™ Design



The new spiral design of the side walls isn't just for aesthetic. The structure increases stability and reduces vibrations. Optimum sound insulation dampens noise even further.

One for all. And all in one.

The new Logixx 8 VarioPerfect adds magic to your home. With it, all your laundry wishes come true. What else would you expect from the new perfection in home laundry?



The 8 highlights of the Logixx 8 VarioPerfect™



NEW

Long life cycle and outstanding quietness with EcoSilence Drive™

Green Technology inside: the unique EcoSilence Drive™ is an advanced motor offering maximum efficiency, economy and exceptionally quiet operation.



Excellent ✓✓✓ water efficiency rating under the Water Efficiency Labeling Scheme in Singapore

✓✓✓ rating enable you to save more than 80 litres of water when washing a full load of clothes.



NEW

VarioPerfect™

30% more economy than the qualifying rate for energy efficiency Class A, thanks to EcoPerfect

Green Technology inside: the lowest ever electricity rates thanks to EcoPerfect, based on the VarioPerfect logic system.



NEW

VarioPerfect™

Thanks to SpeedPerfect, your laundry time can be reduced by 60%.



NEW

Very quiet thanks to AntiVibration™ side walls

Green Technology inside: together with the EcoSilence Drive™ the structure of the outer walls ensures exceptionally quiet operation.



Faster, gentler washing with the patented VarioSoft™ drum and asymmetrical porthole design

Thanks to a unique droplet structure, your laundry is washed more intensively or gently as the occasion demands.



Target and remove 16 of the most stubborn stains with the automatic stain-remover function

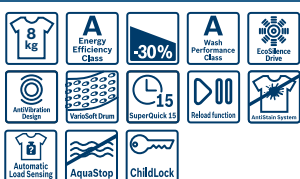
Red wine, cosmetics etc. don't stand a chance when you combine the automatic stain remover option with your standard programmes.

100% convenience with the self-cleaning detergent drawer

Practical hygiene assured by thorough, automatic flushing during each wash cycle.



WAS32794ME Logixx 8 VarioPerfect™ Front Load Washer



- 8kg wash load capacity
- Large drum size at 65 litres
- A-30% Energy Efficiency Rating (EU standard)
- VarioPerfect™ logic system ensures outstanding results for all kinds of textiles and load sizes
- EcoSilence Drive™ offers maximum efficiency, economy and exceptionally quiet operation
- Anti-vibration side panel ensures exceptionally quiet operation
- VarioSoft™ drum system for better cleaning results and shorter washing cycles
- Variable 400 to 1600rpm spin speed with rinse hold
- 14 washing programmes (incl. Wool and Delicates)
- Special programmes:
 - Super Quick 15 min
 - Curtains
 - Dark Wash
 - Sports Wear
- Reload function
- Anti-Stain Automatic with settings for 16 stains
- 3D Sensor for dosage recommendation and load detection
- 32cm large porthole for easy loading and unloading of big items
- Ergonomically favorably positioned door handle to enable opening of door without bending down
- Double slide window for improved efficiency and maximised laundry protection
- Large LCD display with easy to use TouchControl operation
- 24hrs time delay with remaining time indicator
- Electronic child lock
- Aquastop™ - 100% leakproof system

Consumption Rates

Electricity: 1.03 kWh
Water: 56 litres

Appliance dimensions:
842H x 600W x 590D mm
Voltage: 220V-240V/ 50 Hz/ 10Amp

WAS28444ME Logixx 8 VarioPerfect™ Front Load Washer



- 8kg wash load capacity
- Large drum size at 65 litres
- A-30% Energy Efficiency Rating (EU standard)
- VarioPerfect™ logic system ensures outstanding results for all kinds of textiles and load sizes
- EcoSilence Drive™ offers maximum efficiency, economy and exceptionally quiet operation
- Anti-vibration side panel ensures exceptionally quiet operation
- VarioSoft™ drum system for better cleaning results and shorter washing cycles
- Variable 400 to 1400rpm spin speed with rinse hold
- 14 washing programmes (incl. Wool and Delicates)
- Special programmes:
 - Super Quick 15 min
 - Mixed load
 - Sports Wear
- Reload function
- 32cm large porthole for easy loading and unloading of big items
- Ergonomically favorably positioned door handle to enable opening of door without bending down
- Double slide window for improved efficiency and maximised laundry protection
- Large LED display for temperature, spin speed and time delay selection (24hrs) with remaining time indicator
- 4 function buttons:
 - SpeedPerfect
 - EcoPerfect
 - Easy Iron
 - Rinse Plus
- Aquastop™ - 100% leakproof system

Consumption Rates

Electricity: 1.03 kWh
Water: 56 litres

Appliance dimensions:
842H x 600W x 590D mm
Voltage: 220V-240V/ 50 Hz/ 10Amp

WAS24444ME Logixx 8 VarioPerfect™ Front Load Washer



- 8kg wash load capacity
- Large drum size at 65 litres
- A-30% Energy Efficiency Rating (EU standard)
- VarioPerfect™ logic system ensures outstanding results for all kinds of textiles and load sizes
- EcoSilence Drive™ offers maximum efficiency, economy and exceptionally quiet operation
- Anti-vibration side panel ensures exceptionally quiet operation
- VarioSoft™ drum system for better cleaning results and shorter washing cycles
- Variable 400 to 1200rpm spin speed with rinse hold
- 14 washing programmes (incl. Wool and Delicates)
- Special programmes:
 - Super Quick 15 min
 - Mixed load
 - Sports Wear
- Reload function
- 32cm large porthole for easy loading and unloading of big items
- Ergonomically favorably positioned door handle to enable opening of door without bending down
- Double slide window for improved efficiency and maximised laundry protection
- Large LED display for temperature, spin speed and time delay selection (24hrs) with remaining time indicator
- 4 function buttons:
 - SpeedPerfect
 - EcoPerfect
 - Easy Iron
 - Rinse Plus

Consumption Rates

Electricity: 1.03 kWh
Water: 56 litres

Appliance dimensions:
842H x 600W x 590D mm
Voltage: 220V-240V/ 50 Hz/ 10Amp

Maxx 7 VarioPerfect™: 100% cleaning power in speed and economy settings.

The new Maxx 7 VarioPerfect™ allows you to choose between ultra-fast and ultra-economical – while always getting your laundry ultra-clean.



The 7 highlights of the Maxx 7 VarioPerfect™



Excellent ✓✓✓ water efficiency rating under the Water Efficiency Labeling Scheme in Singapore

✓✓✓ rating enable you to save more than 80 litres of water when washing a full load of clothes.



NEW VarioPerfect™



20% more economy than the qualifying rate for energy efficiency Class A, thanks to EcoPerfect

Green Technology inside: the lowest ever electricity rates. Thanks to EcoPerfect, based on the VarioPerfect™ logic system.



NEW VarioPerfect™



Thanks to SpeedPerfect, your laundry time can be reduced by up to 60%.



Quick solution for today's busy lifestyle

SuperQuick 15 programme enables you to wash 2kg of lightly soiled garments in only 15 minutes with a complete wash programmes.



Special functions cater to your individual needs

Easy ironing function reduces crease formation so less ironing time is required



Rinse Plus is ideal for people with sensitive skin - when selected, an additional rinse cycle will be performed to remove any detergent residues.

Control at the touch of a button with the easy- to-use technology

With TouchControl technology operating the washer is a breeze.

Advanced laundry care with a whole range of special programmes

Because every garment is different: Individual care programmes are available e.g. for sport-swear, shirts/ blouses etc.



WAE24360SG Maxx 7 VarioPerfect™ Front Load Washer



- 7kg wash load capacity
- A-20% Energy Efficiency Rating (EU standard)
- VarioPerfect™ logic system ensures outstanding results for all kinds of textiles and load sizes
- Variable 600 to 1200rpm spin speed with rinse hold
- 14 washing programmes (incl. Wool and Delicates)
- Special programme:
 - Super Quick 15 min
- Reload function
- Full electronic control for excess foam detection and imbalance control
- 30cm wide porthole for easy loading /unloading
- 180 degree opening angle
- LED display for 24hrs time delay selection & remaining time
- 4 function buttons:
 - SpeedPerfect
 - EcoPerfect
 - Easy Iron
 - Rinse Plus
- Easy-to-use TouchControl operation

Consumption Rates

Electricity: 1.05 kWh
Water: 47 litres

Appliance dimensions:
847H x 600W x 590D mm
Voltage: 220V-240V/ 50 Hz/ 10Amp

WAE20360SG Maxx 7 VarioPerfect™ Front Load Washer



- 7kg wash load capacity
- A-20% Energy Efficiency Rating (EU standard)
- VarioPerfect™ logic system ensures outstanding results for all kinds of textiles and load sizes
- Variable 600 to 1000rpm spin speed with rinse hold
- 14 washing programmes (incl. Wool and Delicates)
- Special programme:
 - Super Quick 15 min
- Reload function
- Full electronic control for excess foam detection and imbalance control
- 30cm wide porthole for easy loading /unloading
- 180 degree opening angle
- LED display for 24hrs time delay selection & remaining time
- 4 function buttons:
 - SpeedPerfect
 - EcoPerfect
 - Easy Iron
 - Rinse Plus
- Easy-to-use TouchControl operation

Consumption Rates

Electricity: 1.05 kWh
Water: 47 litres

Appliance dimensions:
847H x 600W x 590D mm
Voltage: 220V-240V/ 50 Hz/ 10Amp

WAE18161SG Maxx 7 VarioPerfect™ Front Load Washer



- 7kg wash load capacity
- A-20% Energy Efficiency Rating (EU standard)
- VarioPerfect™ logic system ensures outstanding results for all kinds of textiles and load sizes
- Variable 600 to 900rpm spin speed with rinse hold
- 14 washing programmes (incl. Wool and Delicates)
- Special programme:
 - Super Quick 15 min
- Full electronic control for excess foam detection and imbalance control
- 30cm wide porthole for easy loading /unloading
- 180 degree opening angle
- 4 function buttons:
 - SpeedPerfect
 - EcoPerfect
 - Easy Iron
 - Rinse Plus
- Easy-to-use TouchControl operation

Consumption Rates

Electricity: 1.05 kWh
Water: 47 litres

Appliance dimensions:
847H x 600W x 590D mm
Voltage: 220V-240V/ 50 Hz/ 10Amp



WAE24460AU
Maxx 7 Lifestyle
Front Load Washer



- 7kg wash load capacity
- Stainless steel drum
- Variable 400 to 1200rpm spin speed with Rinse Hold
- Fungus and rust proof phosphate and zinc coated galvanised body
- Full electronic control for:
 - Excess foam detection
 - Imbalance control
 - Optimum spinning
- Easy TouchControl operation
- 11 washing programmes
- Special programmes:
 - Express 15 – World's First
 - Skin care
 - Sports light
 - Mixed load
 - Eco
 - Dark load
- 8 function buttons:
 - Start/Pause
 - Intensive
 - Pre-wash
 - Easy Iron
 - Rinse Plus
 - Temperature selection
 - Time delay – 24 hours
 - Spin speed selection
- Large LED display showing selected spin speed, time, temperature and progress indicator
- Acoustic programme end indicator
- 30cm wide porthole and 180° opening door for easy loading and unloading
- Multi-safe anti-flood protection
- Low fascia panel, can be built under kitchen worktop

Consumption Rates

Electricity: 1.19 kWh
Water: 49 litres

Appliance dimensions:
847H x 600W x 590D mm
Voltage: 230V-240V/ 50 Hz/ 10Amp

WAE16060SG
Maxx 7 Classic
Front Load Washer



- 7kg wash load capacity
- Stainless steel drum
- 800rpm spin speed
- Fungus and rust proof phosphate and zinc coated galvanised body
- Full electronic control for:
 - Excess foam detection
 - Imbalance control
 - Optimum spinning
- Programme cum temperature selector on one knob
- 12 washing programmes
- 3 function buttons:
 - Start/Pause
 - Rinse Plus
 - Quick Wash
- LED indicators for Wash, Rinse and Spin
- 30cm wide porthole and 180° opening door for easy loading and unloading
- Multi-safe anti-flood protection
- Low fascia panel, can be built under kitchen worktop

Consumption Rates

Electricity: 1.19 kWh
Water: 49 litres

Appliance dimensions:
847H x 600W x 590D mm
Voltage: 230V-240V/ 50 Hz/ 10Amp

WAE12060SG
Maxx 7 Classic
Front load washer



- 7kg wash load capacity
- Stainless steel drum
- 600rpm spin speed
- Fungus and rust proof phosphate and zinc coated galvanised body
- Full electronic control for:
 - Excess foam detection
 - Imbalance control
 - Optimum spinning
- Programme cum temperature selector on one knob
- 12 washing programmes
- 3 function buttons:
 - Start/Pause
 - Rinse Plus
 - Quick Wash
- LED indicators for Wash, Rinse and Spin
- 30cm wide porthole and 180° opening door for easy loading and unloading
- Multi-safe anti-flood protection
- Low fascia panel, can be built under kitchen worktop

Consumption Rates

Electricity: 1.19 kWh
Water: 49 litres

Appliance dimensions:
847H x 600W x 590D mm
Voltage: 230V-240V/ 50 Hz/ 10Amp



WAA12166SG Classixx 5.5 Front Load Washer



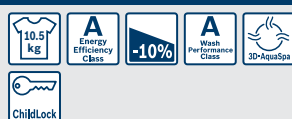
- 5.5kg wash load capacity
- A-10% Energy Efficiency Rating (EU standard)
- 600rpm spin speed with rinse hold
- 15 washing programmes (incl. Wool)
- Super Quick 30min
- 30cm wide porthole for easy loading and unloading
- 140 degree opening angle
- User friendly with programme and temperature selector on one knob
- 3 function buttons:
 - Start
 - Rinse Stop
 - Rinse Plus
- LED indicators to show washing process status

Consumption Rates

Electricity: 0.93kwh
Water: 44 litres

Appliance dimensions:
850H x 600W x 560D mm
Voltage: 220V-240V/50 Hz/ 10Amp

WBB 24751ME Logixx 10.5 Front Load Washer



- 10.5kg wash load capacity
- A-10% Energy Efficiency Rating (EU standard)
- Large drum size with asymmetrical paddle for better movement and washing efficiency
- Variable 600 to 1200rpm spin speed with Rinse Hold
- Full electronic control for:
 - Excess foam detection
 - Imbalance control
 - Optimum spinning
- 13 washing programmes
- Special programme:
 - Mix
- 6 function buttons:
 - Start/Pause
 - Pre-wash
 - Extra Iron
 - Easy Iron
 - Menu
 - Select options
- LCD display and push buttons for wash programme
- 24 hours time delay with remaining time indicator
- Aquasecure
- 3D Aquaspa scoop, shower and porthole system for faster soaking
- Quiet brushless ASM motor
- Acoustic sound buzzer volume selector
- Multi-language display choice
- 41cm wide porthole and 180° opening door for easy loading and unloading
- Ergonomically designed top front panel
- Electronic child lock

Consumption Rates

Electricity: 1.7 kWh
Water: 74 litres

Appliance dimensions:
937H x 687W x 767D mm
Voltage: 220V-240V/50 Hz/ 10Amp

WVD 24520GB Exxxel 5 Front Load Washer/Dryer



- 5kg wash load capacity
- 2.5kg drying capacity
- Variable 400 to 1200rpm spin speed with Rinse Hold
- Full electronic control for:
 - Excess foam detection
 - Imbalance control
 - Optimum spinning
- 11 washing programmes
- 2 drying programmes
- Special wash programmes:
 - Super Quick 15 – World's First
 - Sensitive
 - Sports wash
 - Mixed load
 - Eco
 - Dark wash
- Gentle and Intensive dry programme
- 9 function buttons:
 - Start/Pause (Reload option)
 - Pre-wash
 - Rinse Plus
 - Wash Plus
 - Reduced Ironing
 - Temperature selection
 - Time delay – 24 hours
 - Spin speed selection
 - Drying
- Full LCD display with TouchControl operation showing selected spin speed cycles, programme choice, remaining time and other options
- 30cm wide porthole and 180° opening door for easy loading and unloading

Consumption Rates for washing

Electricity: 0.95 kWh
Water: 49 litres

Appliance dimensions:
860H X 600W X 560D mm
Voltage: 220V-240V/50 Hz/ 13Amp

Maximise your playtime. Minimise your energy bill and not your lifestyle.

Bosch dryers - the most energy efficient across all capacities.

In today's busy lifestyle, it has become more apparent that clothes dryers are an important part of modern laundry. It is without question that dryers make completing the week's laundry much easier and hassle free. Having a dryer means that drying is guaranteed regardless of the weather.



With Bosch clothes dryers, besides not having to compromise on your lifestyle, you can also minimize your electrical bill. Bosch range of clothes dryers have attained either Very Good ✓✓✓ or Excellent ✓✓✓✓ rating under the Mandatory Energy Labeling Scheme (MELS) in Singapore. In fact, Bosch dryers consume the least energy per wash across all capacities. These are made possible as Bosch has invested years of research to introduce drying technologies that improve the efficiency of our dryers, making them more economical to run.

The MELS is an initiative under the Singapore Green Labelling Scheme. It is supported by National Environment Agency (NEA) and the Nation Energy Efficiency Committee (NEEC). The label provides consumers with factual information on energy consumption and allows them to make comparison between different models before deciding on the purchase.

Green Technology inside

ActiveAir Technology

The EcoLogixx 7, underpinned by the innovative ActiveAir technology, sets groundbreaking standards in energy efficiency. Bosch has perfected the heat pump operation, laundry can now be dried using less energy for greater environment friendliness and care. In contrast to conventional dryers, Bosch's ActiveAir technology operates without conventional heating. Drying air is heated at low cost with the help of the heat pump and existing heat is efficiently re-used.

'Sensor-Care' Technology

With the 'Sensor-Care' technology, you can be assured that the dryer is on only for the time required to reach your desired drying rate. 'Sensor-Care' constantly monitors the moisture level of the load and automatically stops the drying cycle once your desired level of dryness has been achieved. This means that not only are you able to save on time, energy and cost, you are also protecting your valuable clothes against over-drying which damages the fibres and reduce the lifespan of your garments.



The 8 highlights of Bosch dryers:

Energy efficiency



Bosch dryers are awarded Very Good ✓✓✓ or Excellent ✓✓✓✓ rating under the Mandatory Energy Labeling Scheme in Singapore.

Sensor drying

The built-in sensors monitor moisture levels and ensure the right temperature throughout the drying cycle so that your laundry is not over-dried or damaged.

Advanced drying care with a whole range of special programmes

Special programmes are incorporated as we believe these individual care programmes are required to protect and prolong the lifespan of different garments. Sportswear programme ensures gentle drying for sports clothing made of modern textiles and high-tech temperature sensitive materials. The Shirts/Blouse programme helps to smooth out your garments and minimises creasing on your garments.

Wide capacity range

Bosch dryers range from drying capacities of 6 to 8 kg to suit the needs of different households.

Quick option

For people with no time to spare: the ExtraShort 40 special programme dries 2 kg of laundry in lightning speed. Cupboard dry results can be achieved in just 40 minutes.

Total laundry solution

Bosch dryers and washing machines can be stacked together with the aid of a stacking kit. These stacking kits anchor the machines together to ensure stability and ease of use.

Drum design

The drums of Bosch dryers are designed to give laundry plenty of room to spread. The laundry does not lie flat on the fabric-friendly drum interior surface but is penetrated by a mild current of warm air from all sides and gently agitated by the waveform soft paddles.

Drum material

Bosch dryers are equipped with either a stainless steel drum or a high quality steel drum that is galvalume coated. Both materials are highly corrosion resistant and they are valued for their versatility, aesthetic and long-term performance. Galvalume coated steel's resistance to corrosion is at least twice that of galvanized steel, so you can be assured of the durability of Bosch dryers.



Drying with cutting-edge economy and care.

The world's 1st heat pump dryer with maintenance-free condenser.

ActiveAir Technology

Launch into a new dryer age with Bosch, Europe's leading household appliances brand and its tumble dryer, EcoLogixx 7 which sets groundbreaking standards in energy efficiency, laundry care and user friendliness. Underpinned by innovative ActiveAir Technology, with which Bosch has perfected heat pump operation, laundry can now be dried using less energy for greater environment-friendliness and care.

SelfCleaning Condenser



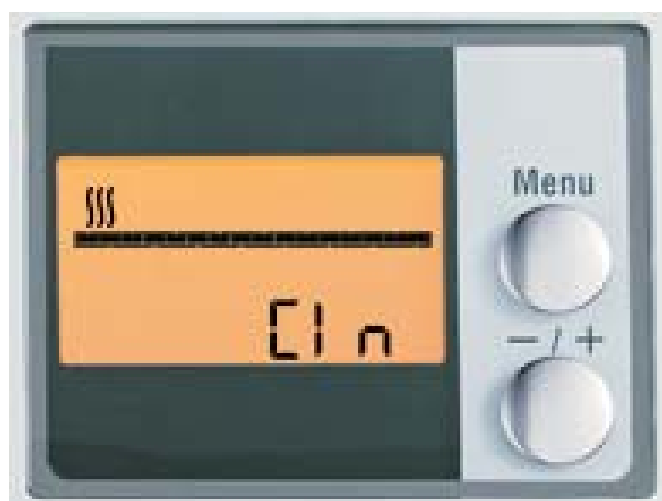
Maintenance is now a thing of the past. The EcoLogixx 7 is the world's first heat pump dryer with a maintenance-free condenser. Regular cleaning of the condenser filter has always been an unpleasant task. Bosch has put an end to all that! During the drying cycle, the condenser is automatically clean up to four times – Bosch has called this innovation the “SelfCleaning Condenser”.

A lifetime of energy efficiency

During the drying process, approx. 20% of the lint collects in the heat exchanger. Permanent self cleaning prevents deposits which impair performance, leading to extended drying periods and, in turn increased energy consumption. The EcoLogixx 7 maintains its ultra-economical energy efficiency standard throughout its service life and always offers peak drying performance. Further unique benefits include high speed drying – 7 kg of cupboard dry cottons in just 125 minutes and super silent operation. And, of course, as you would expect, it is more efficient than all other heat pump dryers.

An extra serving of convenience?

Beside a maintenance-free condenser, the EcoLogixx 7 features 15 drying programmes for all kinds of textiles, outstanding user-friendliness with operation via a comfort display, a handy rotary selector and TouchControl buttons, activated with a single touch.



Steam fights wrinkles.

The new Bosch Logixx 8 Steam for laundry that's dry, fresh and wrinkle-free.

ActiveSteam technology

ActiveSteam – a technology that not only dries, but actively reduces wrinkles and makes clothes feel fresh again. The Logixx 8 Steam meets consumers' desire for new laundry care solutions that save time and simplify their lives.

More care, fewer wrinkles

Ironing is one of the most time-consuming household chores. No wonder consumers are grateful for whatever help they can get. Bosch understands this and presents its Logixx 8 Steam, a condensation dryer with a fully automatic and intelligent steam feature. All it takes is to select "Steam Dry" and set the rotary selector to the easy-care or cotton cycle. The new model's sensor technology measures the textiles' moisture content and releases just the right amount of steam to freshen clothes while drying them with minimum wrinkles. Even totally wrinkled but dry laundry can be made smooth again. This makes ironing easier or totally unnecessary and frees up valuable time that's better spent on something else.

Fresh steam for sensitive garments

The Logixx 8 Steam is particularly useful when it comes to the care of non-washable garments such as blazers, blouses or pants made of sensitive fabrics. The gentle steam dissolves dust and tiny odor-causing particles from the fibers without stressing them mechanically. The result is fresh, wrinkle-free clothing that looks and smells fresh without spending time and money on dry-cleaning. Even the refreshing cycle couldn't be made any easier: Simply put the garments in the drum, select "Business" or "Leisure" under "Steam Refresh" depending on the garment type, and start the cycle.

Top features and lots of convenience

With all this sophisticated steam technology, it should come as no surprise that the Logixx 8 Steam meets all of today's requirements in terms of functionality and convenience. Its spacious drum holds up to 8kg of laundry and is equipped with the SensitiveDrying system, a stainless steel drum design with especially soft paddles that are extra easy on fabrics. The clear LCD display and the large number of programs to choose from, the drum light, the easy-to-use glass door and the easy-to-set child-proof lock are signs of state-of-the-art ergonomics and user convenience.





WTW86560BY Ecologixx 7 Condensation Dryer	WTS86514BY Logixx 8 SteamPerfect Condensation Dryer	WTE84101AU Maxx 7 Condensation Dryer
--	--	---



- 7kg drying capacity
- Energy Efficiency Exellent ✓✓✓✓ over lifetime
- Full electronic sensor control with 15 drying programmes, including 3 timed programmes
- World's FIRST heat pump dryer with a maintenance-free condenser
- ActiveAir Technology - soft laundry and minimum creasing
- Super silent at 63dB noise level
- Low Heat & Reduced Ironing option buttons
- Remaining time display with 24hrs time delay option
- Stainless steel drum material
- Large round door opening with cover glass and interior drum light
- 160° opening angle
- Easy-clean fluff filter

Consumption Rates
 Maximum heat output: 2100W
 Current rating: 220V – 240V/ 50Hz/ 10-16Amp

Appliance dimensions:
 842H x 598W x 625D mm

- 8kg drying capacity
- Full electronic sensor control with 15 drying programmes, including 2 steam and 2 refresh programmes
- ActiveSteam Technology – fully automatic process of de-wrinkling and refreshing
- AutoDry function – automatic detection of moisture adjustment for optimal results
- Low Heat & Reduced Ironing option buttons
- Remaining time display with 24hrs time delay option
- Stainless steel drum material
- Large round door opening with cover glass and interior drum light
- 160° opening angle
- Easy-empty condensation tank
- Easy-clean fluff filter

Consumption Rates
 Maximum heat output: 2500W
 Current rating: 220V – 240V/ 50Hz/ 10Amp

Appliance dimensions:
 842H x 598W x 625D mm

- 7kg drying capacity
- Full electronic sensor control with 9 drying programmes, including 2 timed programmes
- Super Quick 40min program
- Low Heat option button
- Galvalume drum material
- Large round door opening
- 160° opening angle
- LED progress indicator
- Easy-empty condensation tank
- Easy-clean fluff filter
- Overheating temperature protection

Consumption Rates
 Maximum heat output: 2100W
 Current rating: 220V – 240V/ 50Hz/ 10Amp

Appliance dimensions:
 842H x 598W x 625D mm



WTC84100GB
Maxx 6
Condensation Dryer



- 6kg drying capacity
- Full electronic sensor control with 9 drying programmes, including 4 timed programmes
- Low Heat & Reduced Ironing option buttons
- Galvalume drum material
- Large round door opening
- 150° opening angle
- LED progress indicator
- Easy-empty condensation tank
- Easy-clean fluff filter
- Overheating temperature protection

Consumption Rates

Maximum heat output: 2000W

Current rating: 220V – 240V/ 50Hz/ 13Amp

Appliance dimensions:

842H x 599W x 635D mm

WTV74100ME
Maxx 7
Sensor Dryer



- 7kg drying capacity
- Wide round door with 160° opening angle
- Stainless steel drum
- "Ellipse" drum with Soft Dry paddles for even and gentle drying
- Full electronic sensor drying system with easy TouchControl buttons
- 9 drying programmes including 2 timed programmes
- 2 function buttons:
 - Start
 - Gentle
- DuoTronic
- 6 LED including programme end, error and filter clean indicator
- Overheating temperature protection
- Optional accessories:
 - WTZ11310 stacking kit
 - WTZ11300 stacking kit with drawer

Consumption Rates

Maximum heat output: 2500W

Current rating: 220-240V/ 50Hz/ 10-16Amp

Appliance dimensions:

842H x 598W x 625D mm

WTA74100ZA
Maxx 6
Sensor Dryer



- 6 kg drying capacity
- Full electronic sensor control with 9 drying programmes, including 4 timed programmes
- Easy Iron & Gentle option buttons
- Galvalume drum material
- Large round door opening
- 150° opening angle
- LED progress indicator
- Separate venting hose for exhaust air
- Easy-clean fluff filter
- Overheating temperature protection
- Exhaust air outlets at rear and left hand side panel

Consumption Rates

Maximum heat output: 2000W

Current rating: 220V – 240V/ 50Hz/ 10Amp

Appliance dimensions:

842H x 599W x 635D mm

QUALITY SERVICE

Bosch will not let you down

The most important quality in the household is reliability. That is why Bosch appliances are built to be durable and efficient. In the unlikely event of a malfunction occurring, our customer service team pledges Bosch quality:

We will not let you down.

Ingenious technology for low cost repairs

The far-sightedness of our engineers ensures that all main operating parts are easily accessible. This means that malfunctions are pinpointed and solved quickly - thus reducing repair costs.

Immediate help in your home for large appliances!

Large appliances such as washing machines or dishwashers need specialised engineers who offer on-site diagnosis and repairs.

We are just a phone call away!

Bosch appliances are retailed in major departmental stores and authorised dealers.

Bosch product range consists of:

Electric Oven
Steamer
Microwave Oven
Coffee Machine
Electric Hob
Gas Hob
Cookerhood
Refrigerator
Wine Cooler
Dishwasher
Washing Machine
Tumble/Condenser Dryer
Iron
Vacuum Cleaner
Bathroom Scale
Kitchen Machine
Hand Blender
Juicer

Bosch is distributed by:

If you have further queries about the operation or function of Bosch household appliances, please contact at:

Singapore

BSH Home Appliances Pte. Ltd.

(Reg. No: 199608497E)

11 Bishan Street 21

Bosch Building #04-01

Singapore 573943

Mainline: (65) 6356 1080

Fax: (65) 6507 3818

Customer Service Center

37 Jalan Pemimpin

Block A #01-03

Union Industrial Building

Singapore 577177

Hotline: (65) 6751 5000

Fax: (65) 6751 5005

Operating Hours: Mon - Fri, 8.30am – 5.30pm

Malaysia

BSH Home Appliances Sdn. Bhd.

(Reg. No: 711053H)

No.8A Jalan 13/6

46200 Petaling Jaya, Selangor

Tel: (603) 7955 8880

Fax: (603) 7955 7580

Customer Service

Hotline: (603) 7955 3108

Fax: (603)7955 5103

Operating Hours: Mon – Fri, 8.30am – 5.30pm

www.bosch-home.com